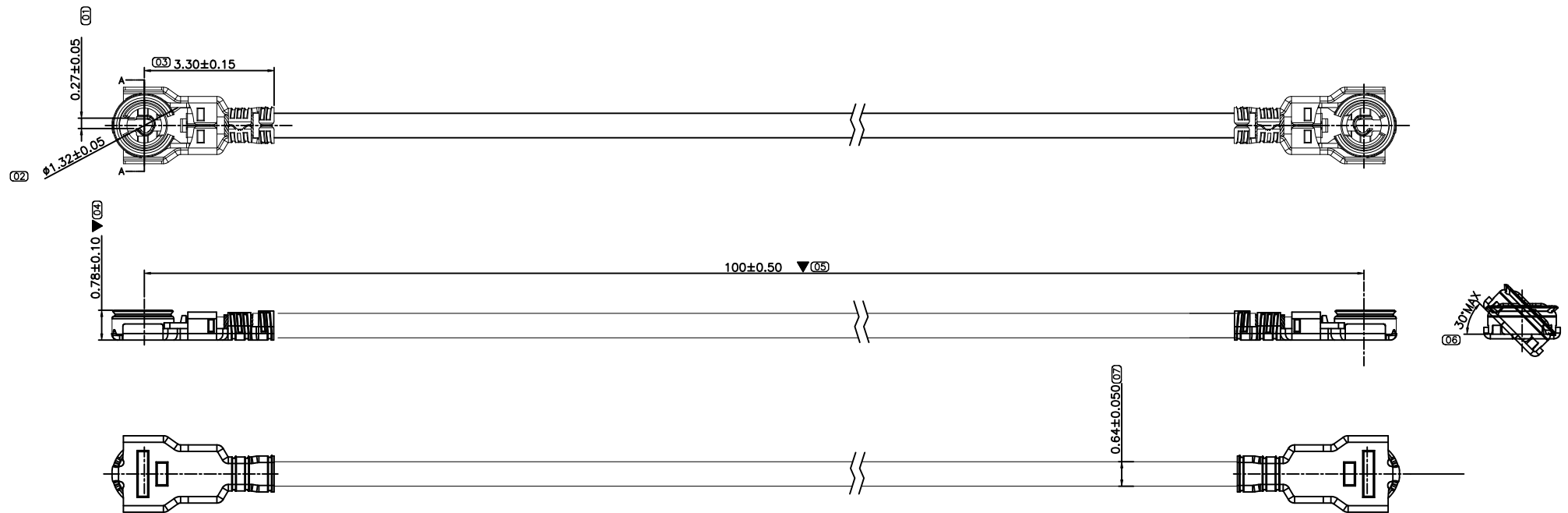


REV	ECN NO	DESCRIPTION	DATE	APPD
X1		INITIAL EDITION	2017.05.10	Andrew



Note:

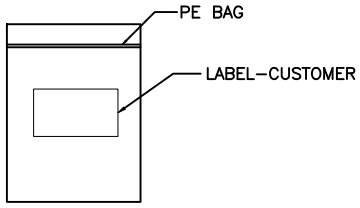
1. Technology Parameter
 - 1.1 Voltage Rating: 60VAC(R.M.S)
 - 1.2 Frequency Rating: 0.1~6G Hz
 - 1.3 Nominal Characteristic Impedance: 50 ohms
 - 1.4 Operating Temperature Range: -40°C~+90°C
 - 1.5 Operating Humidity: 25~85%R.H.MAX
2. Electric Performance
 - 2.1 Insulation Resistance: 500M ohms
 - 2.2 Contact Resistance
 - 2.2.1 Inner Contact: 20 mohms Max.
 - 2.2.2 Outer Contact: 20 mohms Max.
 - 2.3 Withstand Voltage: 200V AC 1minute
 - 2.4 VSWR: 500M~3GHz<1.3
3. Mechanism Performance
 - 3.1 Durability: 30 Cycles
4. All the material followed the ROHS standard

EXTEND USE		TITLE		DWG NO	
RF 1.0H CONNECTOR PLUG+CABLE		UNIT	mm	7.041AJ CONNECTOR CUSTOMER DRAWING	
GENERAL TOLERANCE (0)		MATERIAL	APPD	Andrew 2017.05.10	
DIMENSION	ANGLES	QTY	CHD	P/N: 7.041AJ-100-1B0	
. ±0.30	. ±3°	FINISHED	DRN	BillZheng 2017.05.10	
.0 ±0.25	.0 ±2°			SHEET	SCALE
.00 ±0.20	.00 ±1°			1/2	1:1
.000 ±0.10				(M)	REV
					X1

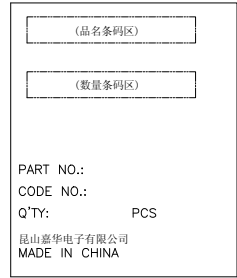
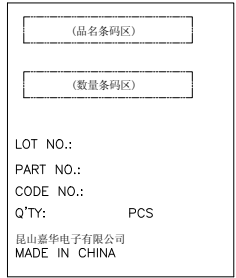


C-7.41AJ

REV	ECN NO	DESCRIPTION	DATE	APPD
		see page 1/2	2017.05.10	Andrew

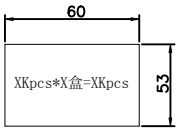


↓ 10PCS

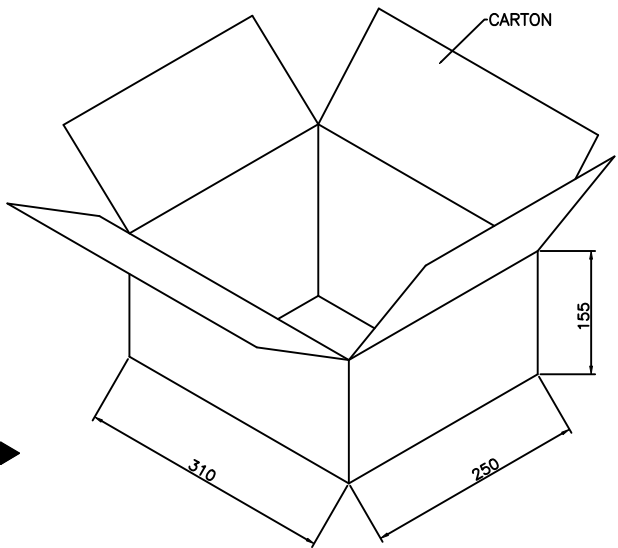
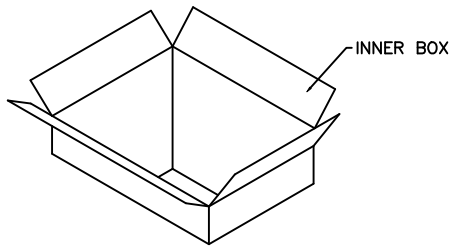


LABEL-INNER BOX

LABEL-CARTON

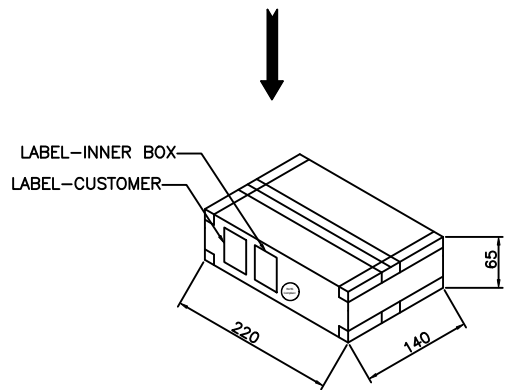


LABEL-ADD



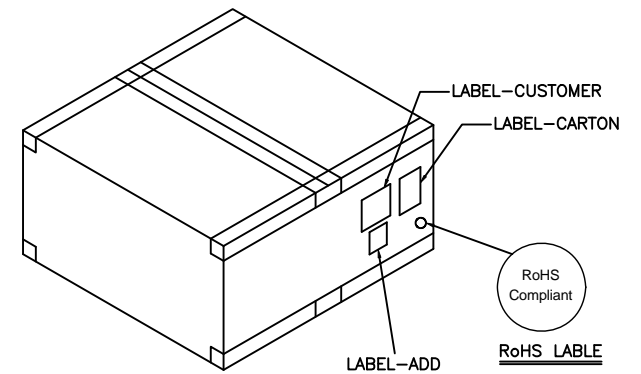
BOM:

P/N	Q'TY		
	PE BAG	INNER BOX	CARTON
7.041AJ-100-1B0	500PCS	5000PCS	20000PCS



→ 4PCS

→



EXTEND USE		TITLE		DWG NO	
RF 1.0H CONNECTOR PLUG+CABLE		7.041AJ CONNECTOR CUSTOMER DRAWING		C-7.041AJ	
GENERAL TOLERANCE		MATERIAL	APPD	P/N:	
DIMENSION		QTY	CHD	SEE TAB	
ANGLES		FINISHED	DRN	SHEET	SCALE
. ±0.30	±3'		Billzheng	1/1	1:1
.0 ±0.25	.0 ±2'		2017.05.10		
.00 ±0.20	.00 ±1'				
.000 ±0.10					