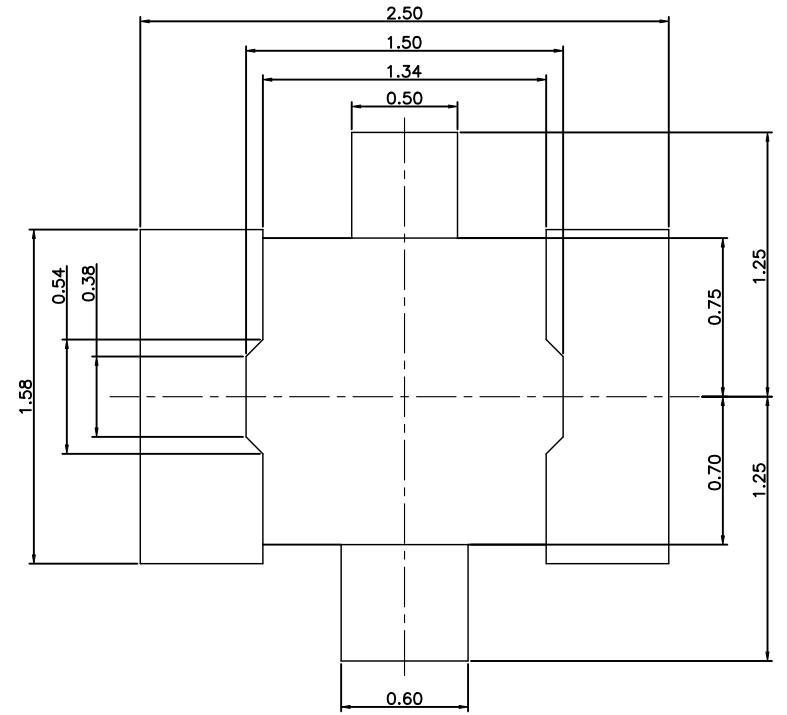
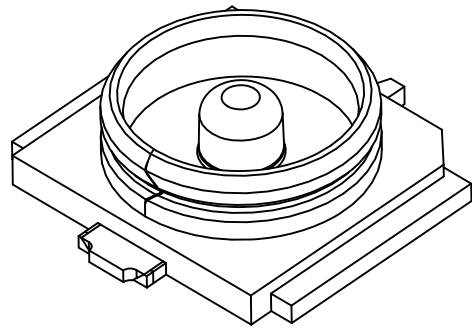
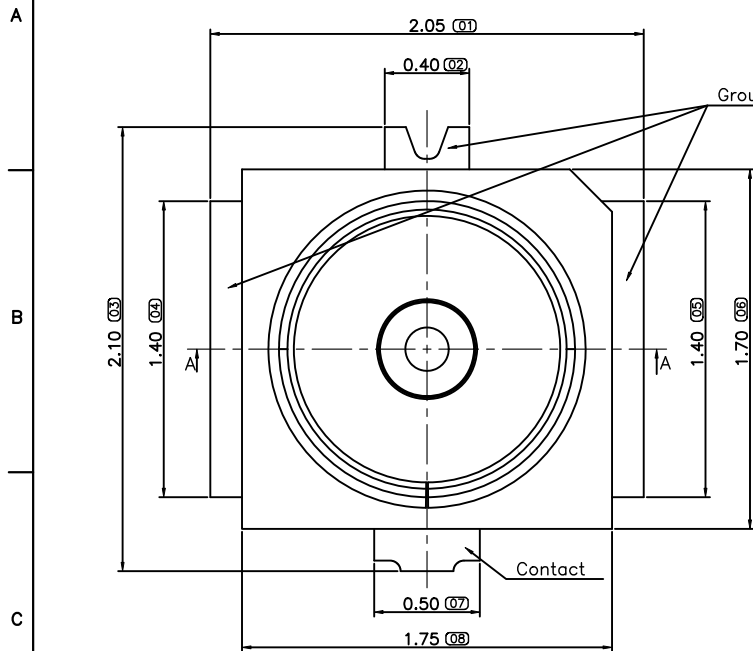
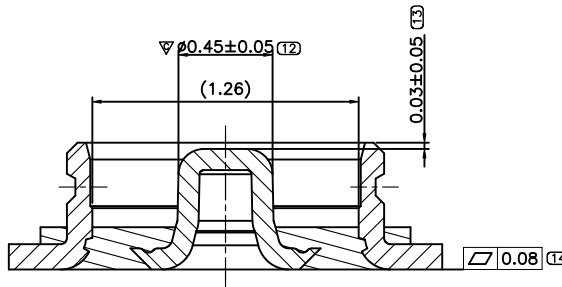
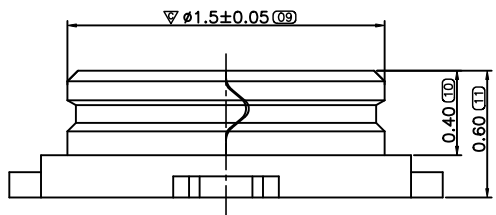


A3

REV	ECN NO	DESCRIPTION	DATE	APPD
A	ECN1305070	INITIAL EDITION	2013.05.09	Bill Zheng
B	ECN1609003	ADD CPK SIZE CONTROL.	2016.09.05	Andrew Zhang
C	ECN1706016	CHANGE IN PACKAGE Qty.	2017.06.23	Bill Zheng



Recommended PCB Layout
(General Tolerance Is ± 0.05)



SECTION: A-A

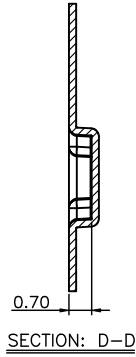
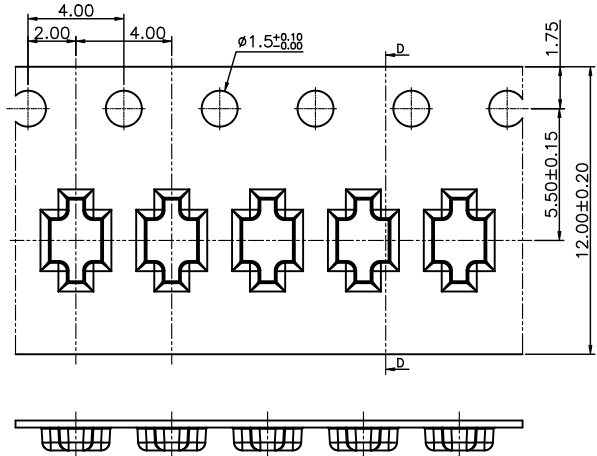
- NOTE:
- MATERIAL:
 - HOUSING: THERMOPLASTIC, COLOR: BLACK, UL 94V-0;
 - CONTACT: COPPER ALLOY, T=0.10mm;
 - SHELL: COPPER ALLOY, T=0.12mm.
 - FINISH:
 - CONTACT: GOLD PLATED ON CONTACT AREA, GOLD FLASH ON SOLDER TAILS, NICKEL UNDER PLATED OVER OF THE ALL;
 - SHELL: GOLD FLASH ON THE ALL, NICKEL PLATED UNDER.
 - USING ∇ TO REPRESENT CPK DIMENSIONS.
 - THE INCOMING MATERIAL, MANUFACTURING PROCESS AND THE SHIPMENT MUST ACCORD WITH THE REQUIREMENT OF FAF JH-GP-213 ENVIRONMENT MANAGEMENT MATERIAL FORBIDDEN USED PROCEDURE.

EXTEND USE		TITLE	
RF 1.2H REC Connector		UNIT	7.020A0 Connector Customer Drawing
		mm	
GENERAL TOLERANCE $\text{\textcircled{C}}$		MATERIAL	APPD
DIMENSION		QTY	CHD
ANGLES		FINISHED	DRN
.0	± 0.30		
.00	± 0.25		
.000	± 0.10		
±3°			
±2°			
±1°			
		TITLE	
		7.020A0 Connector Customer Drawing	
		DWG NO	
		C-7.020A0	
		P/N:	
		7.020A0-000-1R0	
		SHEET	
		SCALE	
		REV	
		C	
		DATE	
		2017.06.23	
		APPD	
		Bill Zheng	
		DRN	
		Tony Tai	
		SCALE	
		1/2 1:1	
		REV	
		C	

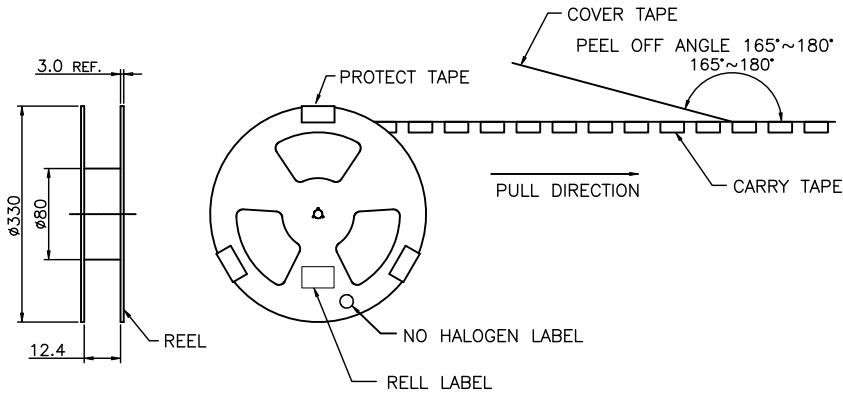
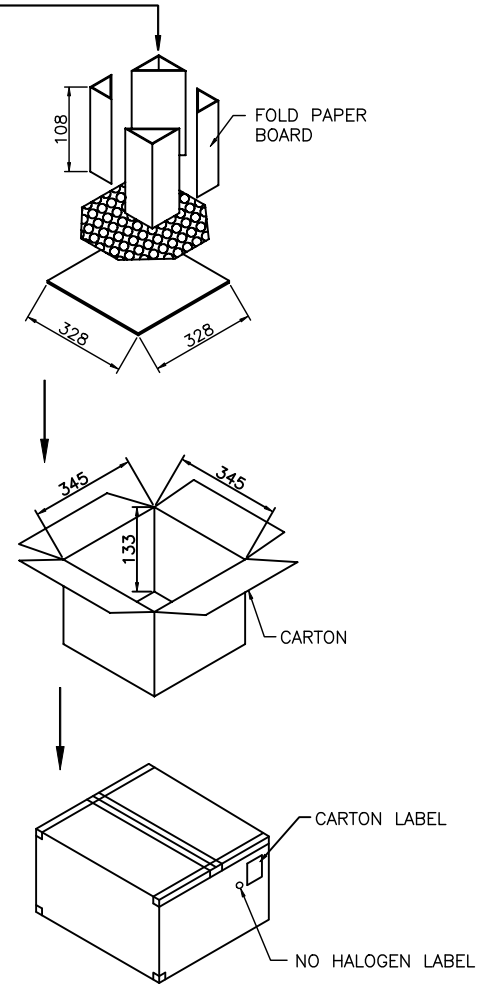
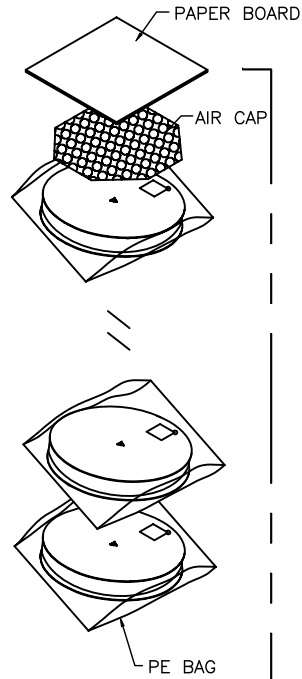


A3

REV	ECN NO	DESCRIPTION	DATE	APPD
		SEE SHEET 1/2		

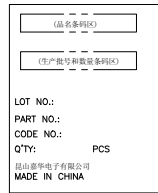


无卤
No
halogen
NO HALOGEN LABEL



INFORMATIONS OF THE PACKING

TITLE	P/N	Q'TY/REEL	Q'TY/CARTON
7.020A0 CONNECTOR	7.020A0-000-1R0	10000PCS	40000PCS



REEL LABEL



CARTON LABEL

EXTEND USE		TITLE	
RF 1.2H REC Connector		7.020A0 Connector Customer Packing	
UNIT mm		DWG NO C-7.020A0	
GENERAL TOLERANCE		MATERIAL APPD	
DIMENSION		QTY	
ANGLES		FINISHED	
P/N:		SHEET SCALE REV	
7.020A0-000-1R0		2/2 1:1 C	
Bill Zheng 2017.06.23		CHD	
Bill Zheng 2017.06.23		DRN	
Tony Tai 2017.06.23			

