

# B500003

# TJC2B



- ▶ 主要技术特性 (Main Specifications)
- ▶ 适用导线规格 (Applicable wire) : AWG24#~20#
- ▶ 适用基板厚度 (Applicable PC board thickness) : 1.6mm
- ▶ 温度范围 (Temperature range) : -25°C~+85°C
- ▶ 额定电压 (Voltage rating) : 250V AC, DC
- ▶ 额定电流 (Current rating) : 5A AC, DC
- ▶ 接触电阻 (Contact resistance) :  $\leq 0.02\Omega$
- ▶ 绝缘电阻 (Insulation resistance) :  $\geq 1000M\Omega$
- ▶ 耐压 (Withstanding voltage) : 1500V AC/minute

### 材料及电镀规格 Material and Finish

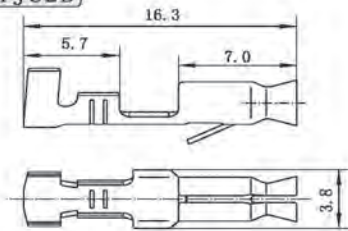
型号 Type	材料 Material	材料厚度 Material Thickness	电镀规格 Finish
插座 WAFER	塑胶 HOUSING	PA66 UL94V-0	N/A
	针PIN	黄铜 Barss	镀锡 Tin-plated
孔座 HOUSING	PA66 UL94V-0	—	N/A
端子 TERMINAL	锡青铜 Phosphor bronze	0.3mm	镀锡 Tin-plated

### 产品尺寸图 Product size chart

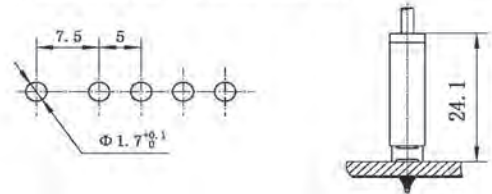
 单位: mm 一般公差:  $\pm 0.20$ 

### TERMINAL

B500003-4 TJC2B

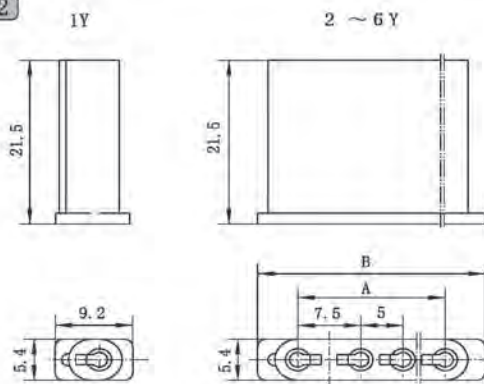


### 安装尺寸 (Mounting measurement)



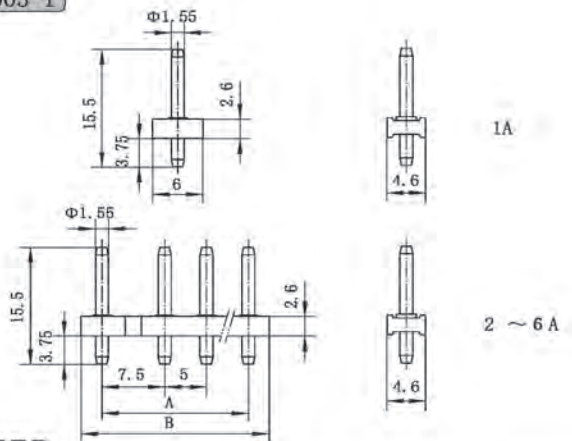
### HOUSING

B500003-2



### WAFER

B500003-1



### HOUSING

极数 Circuits	型号 Type	尺寸 (Dimensions) mm		备注型号 P. S. Type
		A	B	
1	B500003-2-01	-	-	TJC2B-1Y
2	B500003-2-02	7.5	17.0	TJC2B-2Y
3	B500003-2-03	12.5	12.0	TJC2B-3Y
4	B500003-2-04	17.5	27.0	TJC2B-4Y
5	B500003-2-05	22.5	32.0	TJC2B-5Y
6	B500003-2-06	27.5	37.0	TJC2B-6Y

### WAFER

极数 Circuits	型号 Type	尺寸 (Dimensions) mm		备注型号 P. S. Type
		A	B	
1	B500003-1-01	-	-	TJC2B-1A
2	B500003-1-02	7.5	12.5	TJC2B-2A
3	B500003-1-03	12.5	17.5	TJC2B-3A
4	B500003-1-04	17.5	22.5	TJC2B-4A
5	B500003-1-05	22.5	27.5	TJC2B-5A
6	B500003-1-06	27.5	32.5	TJC2B-6A