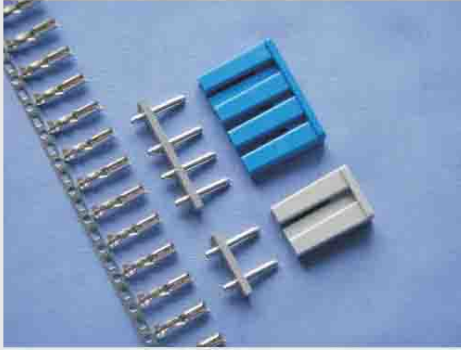


# B800001

# TJC1



### ▶ 主要技术特性 (Main Specifications)

- ▶ 适用导线规格 (Applicable wire) : AWG24#~20#
- ▶ 适用基板厚度 (Applicable PC board thickness) : 1.6mm
- ▶ 温度范围 (Temperature range) : -25°C~+85°C
- ▶ 额定电压 (Voltage rating) : 250V AC, DC
- ▶ 额定电流 (Current rating) : 5A AC, DC
- ▶ 接触电阻 (Contact resistance) :  $\leq 0.02\Omega$
- ▶ 绝缘电阻 (Insulation resistance) :  $\geq 1000M\Omega$
- ▶ 耐压 (Withstanding voltage) : 1500V AC/minute

### 材料及电镀规格 Material and Finish

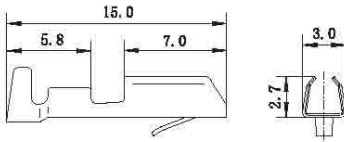
型号 Type	材料 Material	材料厚度 Material Thickness	电镀规格 Finish
插座 WAFER	塑胶 HOUSING	PA66 UL94V-0	N/A
	针 PIN	黄铜 Brass	镀锡 Tin-plated
孔座 HOUSING	PA66 UL94V-0	--	N/A
端子 TERMINAL	锡青铜 Phosphor bronze	0.25mm	镀锡 Tin-plated

### 产品尺寸图 Product size chart

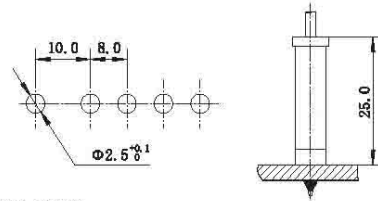
 单位: mm 一般公差:  $\pm 0.20$ 

### TERMINAL

- B800001-4 TJC1  
B800001-4-I YDT236-LSB

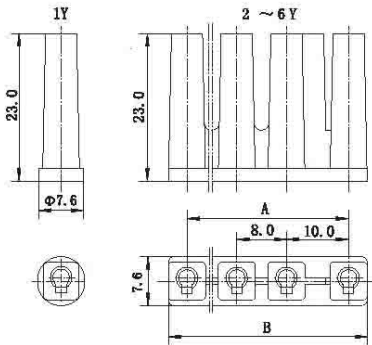


### 安装尺寸 (Mounting measurement)

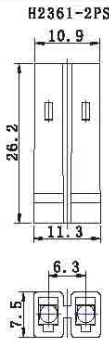


### HOUSING

- B800001-2-02

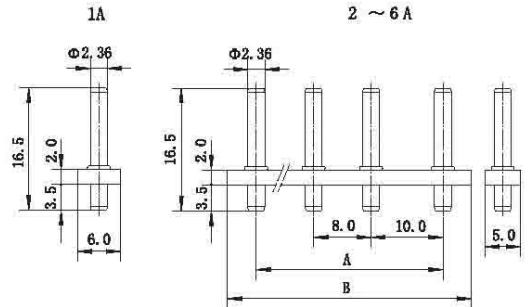


- B800001-2-02A



### WAFER

- B800001-1



### HOUSING

极数 Circuits	型号 Type	尺寸 (Dimensions) mm		备注型号 P. S. Type
		A	B	
1	B800001-2-01	-	-	TJC1-1Y
2	B800001-2-02	10.0	16.0	TJC1-2Y
3	B800001-2-03	18.0	24.0	TJC1-3Y
4	B800001-2-04	26.0	32.0	TJC1-4Y
5	B800001-2-05	34.0	40.0	TJC1-5Y
6	B800001-2-06	42.0	48.0	TJC1-6Y

### WAFER

极数 Circuits	型号 Type	尺寸 (Dimensions) mm		备注型号 P. S. Type
		A	B	
1	B800001-1-01	-	-	TJC1-1A
2	B800001-1-02	10.0	18.0	TJC1-2A
3	B800001-1-03	18.0	26.0	TJC1-3A
4	B800001-1-04	26.0	34.0	TJC1-4A
5	B800001-1-05	34.0	42.0	TJC1-5A
6	B800001-1-06	42.0	50.0	TJC1-6A