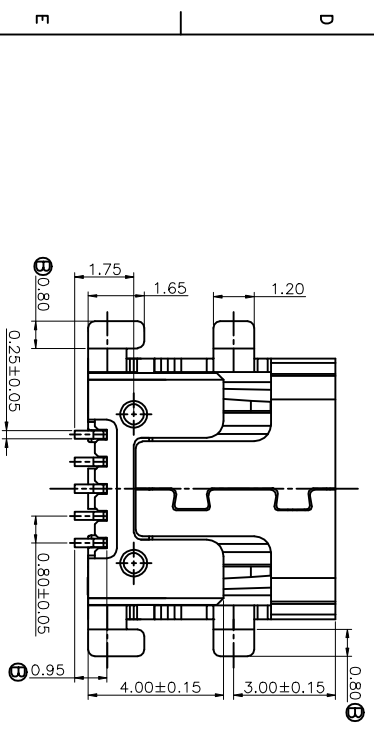
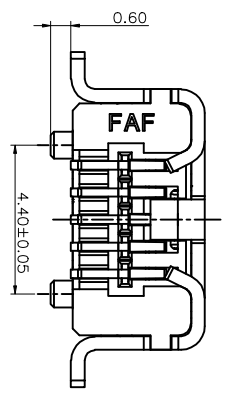
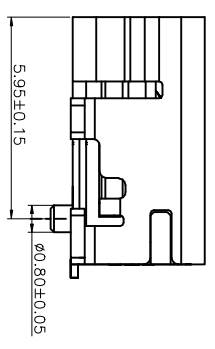
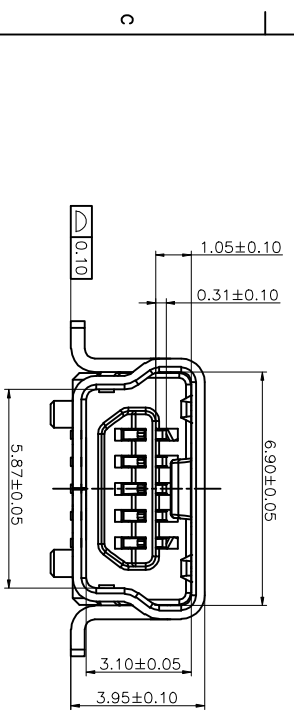
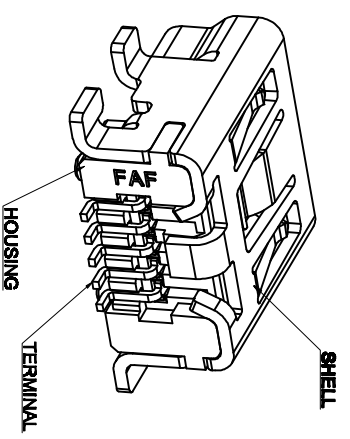
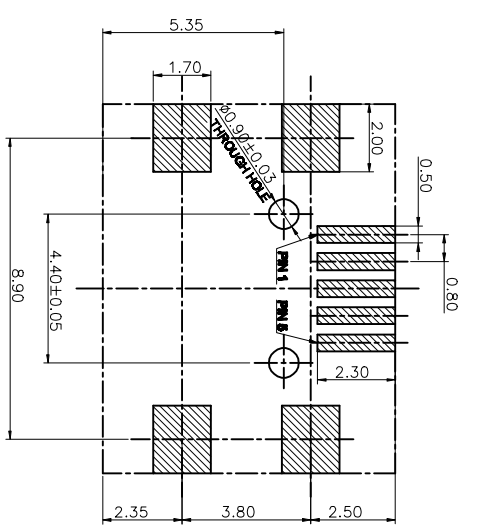
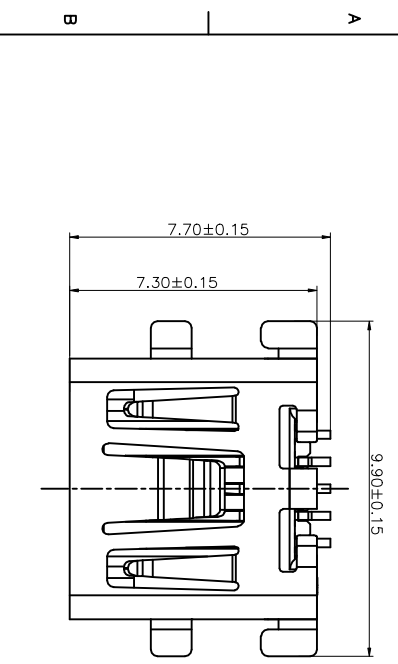


REV	ECN NO	DESCRIPTION	DATE	APPD
A		NEW	2011.10.20	LV HAI TAO
B	FECH1203046	增加五個尺寸(0.80/0.80/0.95)	2012.03.28	TAN LIN HONG



RECOMMENDED PCB LAYOUT
TOLERANCE: ±0.05

- NOTES:**
- MATERIAL:** HIGH TEMPERATURE THERMAL PLASTIC, BLACK UL 94V0;
SHELL: COPPER ALLOY;
TERMINAL: COPPER ALLOY;
 - FINISH:** *GOLD PLATED ON CONTACT AREA AND TIN PLATED ON SOLDER TAIL;
SHELL: TIN PLATED;
 - MECHANICAL SPECIFICATION:** REPEATED BEND TESTES MATING AND UNMATING CYCLES AND STILL MEET ELECTRICAL CHARACTERISTICS;
 - ELECTRICAL SPECIFICATION:**
 - 4-1) RATED CURRENT (PER CONTACT): 1.0 AMPERE MAX. AND TEMPERATURE RISE SHOULD BE LESS THAN 30 DEGREE;
 - 4-2) INSULATION RESISTANCE: ≥100 MEGOHMS MIN.;
 - 4-3) DIELECTRIC WITHSTANDING VOLTAGE: 100 VAC ;
 - 4-4) CONTACT RESISTANCE: ≤9 MILLIOHMS MAX.;

2. PART NUMBER

3. ORGALL-005-200	AJ	0P	ON CONTACT AREA
3. ORGALL-005-100	AJ	5P	ON CONTACT AREA
3. ORGALL-005-200	AJ	10P	ON CONTACT AREA
3. ORGALL-005-200	AJ	30P	ON CONTACT AREA
3. ORGALL-005-100	AJ	10P	ON CONTACT AREA

EXTEND USE		TITLE		DWG NO	
MINI USB SPIN B TYPE	MINI USB SPIN B TYPE	ASSC. DRAWING (SMT)	C-3.036A1		
GENERAL TOLERANCE	MATERIAL	APPD			
DIMENSION	FINISHED	DRN			
±0.30	±.3				
±0.25	±.2				
±0.20	±.1				
±0.10					



1 2 3 4 5 6 7 8