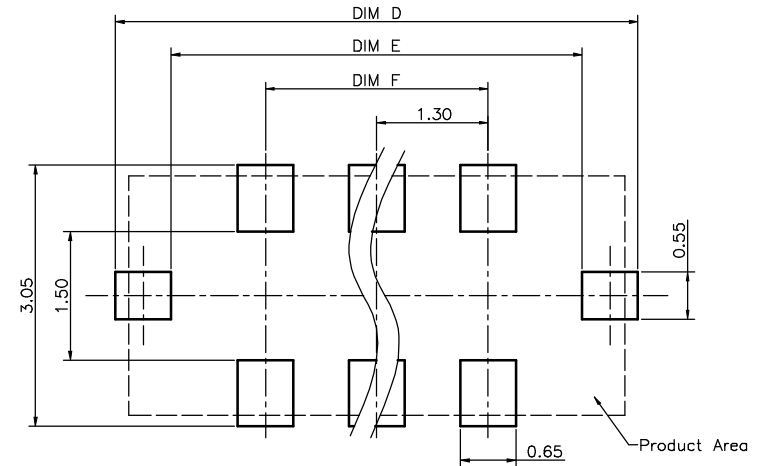
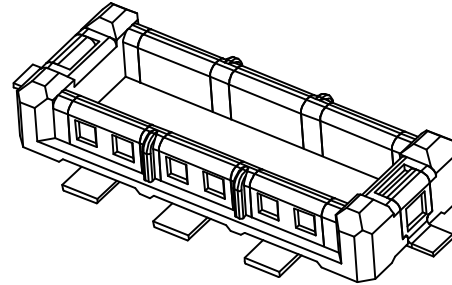
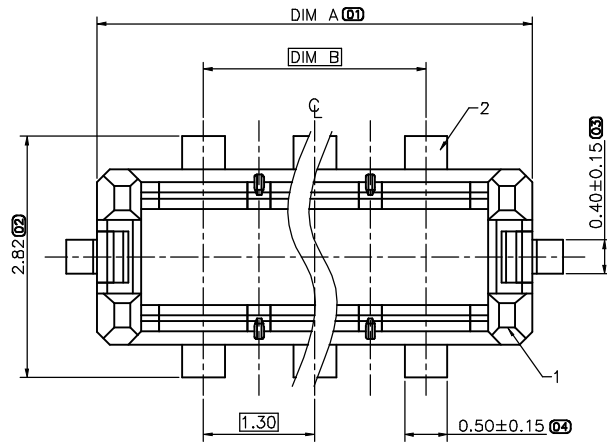
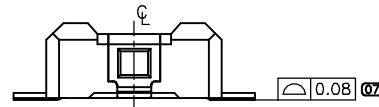
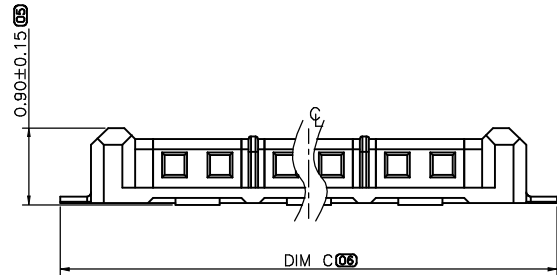


A3

REV	ECN NO	DESCRIPTION	DATE	APPD
X1		Initial Edition	2013.07.27	Bill Zheng



PCB LAYOUT TOLERANCE=±0.03mm



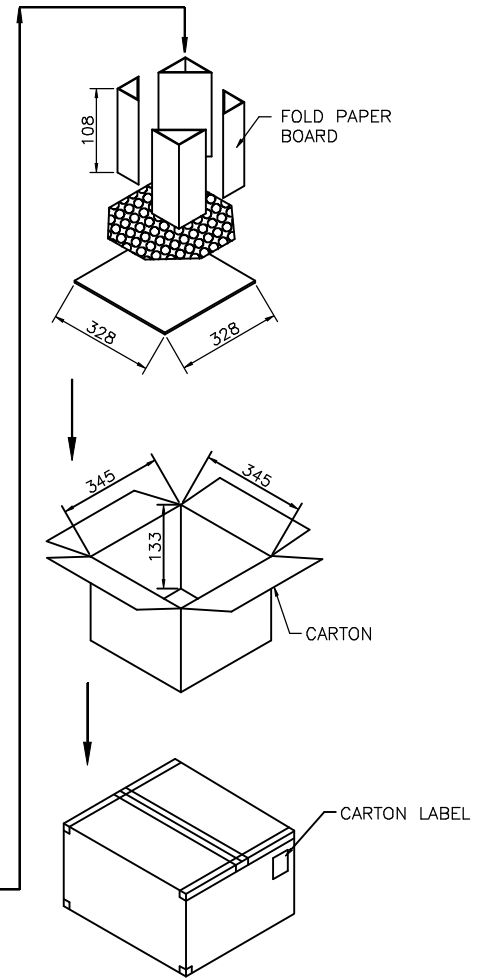
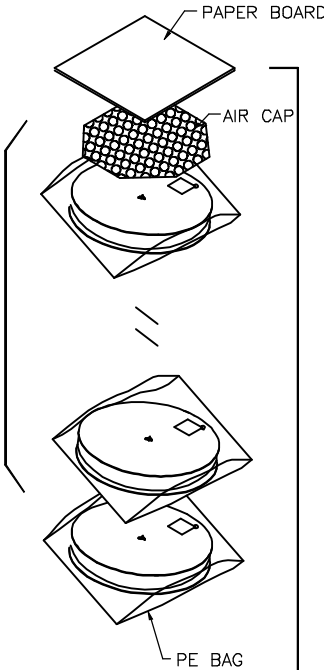
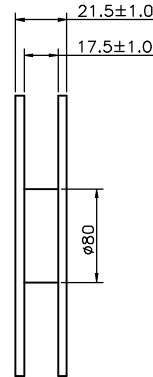
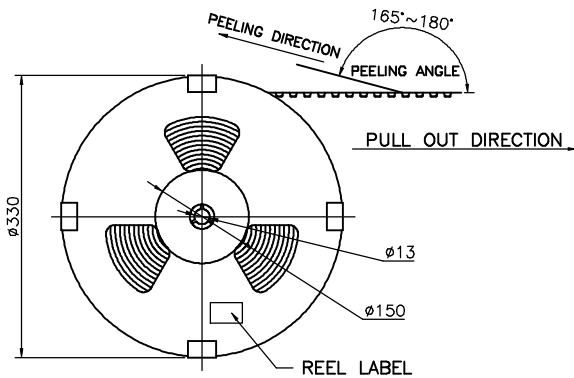
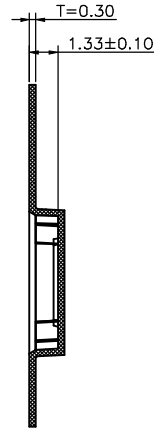
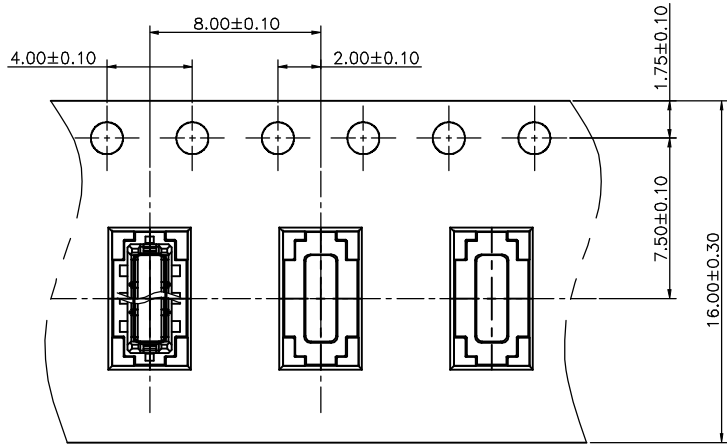
NOTES:

- MATERIAL:
1-1.HOUSING: THERMOPLASTIC, COLOUR: BLACK.
1-2.CONTACT: COPPER ALLOY.
1-3.HOLD DOWN: COPPER ALLOY.
- FINISH:
2-1. CONTACT: NICKEL PLATING OVERALL, Au 2u" MIN PLATING AT SOLDER AREA, Au 5~8u" MIN AT CONTACT AREA.
2-2. HOLD DOWN: NICKEL PLATING OVERALL, Au PLATING AT SOLDER AREA.
- COPLANARITY: 0.08MAX.
- THE PRODUCT IS COMPLIANT WITH FAF ENVIRONMENT PROCEDURE REQUIREMENT.

8	5.027A0-008-2R0	6.38	3.90	7.10	7.40	6.10	3.90
6	5.027A0-006-2R0	5.08	2.60	5.80	6.10	4.80	2.60
4	5.027A0-004-2R0	3.78	1.30	4.50	4.80	3.50	1.30
Pin No.	P/N	DIM A	DIM B	DIM C	DIM D	DIM E	DIM F

3	HOLD DOWN	2	COPPER ALLOY	NICKEL PLATING OVERALL Au PLATING AT SOLDER AREA
2	CONTACT	6	COPPER ALLOY	NICKEL PLATING OVERALL Au PLATING AT CONTACT AREA
1	HOUSING	1	THERMOPLASTIC	MOLDED BLACK, UL94 V-0
ITEM	DESCRIPTION	Q'TY	MATERIAL	FINISH

EXTEND USE	UNIT	TITLE	DWG NO
FTB	mm	5.027A0 CONNECTOR Customer Drawing	
1.3 Pitch FTB 0.9H M-CONN	MATERIAL	APPD Bill Zheng 2013.07.27	P/N:
GENERAL TOLERANCE	QTY	CHD David Wang 2013.07.27	SEE TABLE
DIMENSION	FINISHED	DRN Rico Wang 2013.07.27	SHEET 1/2
. ±0.30			SCALE 1:1
.0 ±0.25			REV X1
.00 ±0.20			
.000 ±0.10			

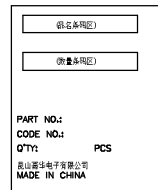


NOTES:

1. THE DIRECTION OF EACH CONNECTOR ON A EMBOSS IS REFERRED TO THIS DRAWING.
2. GENERAL TOLERANCE: ± 0.5 , $\pm 3'$.
3. PEELING RESISTANCE: 0.1N(10.2gf)~0.7N(71.4gf);
PEELING ANGLE: 165°~180°;
PEELING SPEED: 300mm/MIN
4. PACKING QUANTITY: 5000PCS/REEL, 20000PCS/CARTON.



REEL LABEL



CARTON LABEL

INFORMATIONS OF THE PACKING

TITLE	P/N	Q'TY/REEL	Q'TY/CARTON
5.027A0 CONNECTOR	5.027A0-***-1R0	5000PCS	20000PCS

EXTEND USE FTB 1.3 Pitch FTB 0.9H M-CONN	UNIT	mm	TITLE	5.027A0 CONNECTOR Customer Drawing		DWG NO C-5.027A0
	MATERIAL	APPD	Bill Zheng 2018.07.27		P/N: SEE TABLE	
GENERAL TOLERANCE	QTY	CHD	David Wang 2018.07.27			SHEET 2/2
DIMENSION	FINISHED	DRN	Rico Wang 2018.07.27		SCALE 1:1	
.0 ±0.30					REV X1	
.0 ±0.25						
.00 ±0.20						
.000 ±0.10						