

A100001

FPC1.0A



- ▶ 主要技术特性 (Main Specifications)
- ▶ 适用FPC/FPC规格 (Applicable FPC/FPC) : Thickness 0.3mm
- ▶ 温度范围 (Temperature range) : -25°C ~ +85°C
- ▶ 额定电压 (Voltage rating) : 50V AC, DC
- ▶ 额定电流 (Current rating) : 0.5A AC, DC
- ▶ 接触电阻 (Contact resistance) : $\leq 0.02\Omega$
- ▶ 绝缘电阻 (Insulation resistance) : $\geq 100M\Omega$
- ▶ 耐压 (Withstanding voltage) : 500V AC/minute

材料及电镀规格 Material and Finish

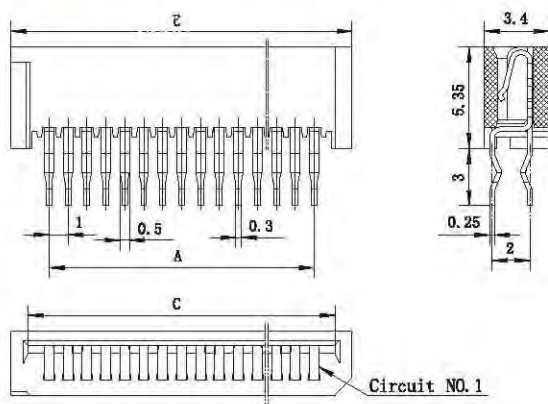
型号 Type	材料 Material	材料厚度 Material Thickness	电镀规格 Finish
塑胶 HOUSING	PBT UL94V-0	—	N/A
端子 TERMINAL	锡青铜 Phosphor bronze	0.25mm	镀锡 Tin-plated

产品尺寸图 Product size chart

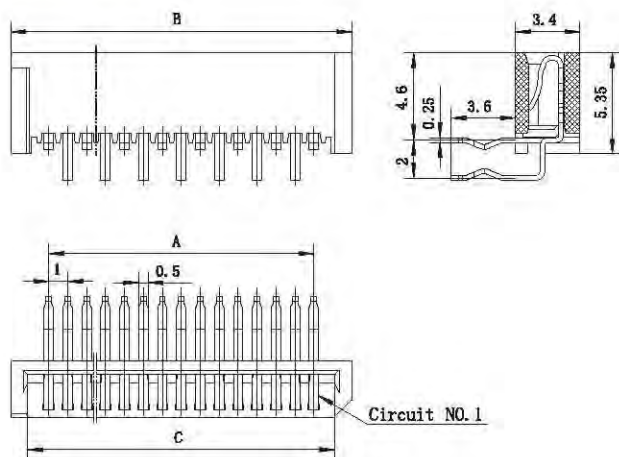
 单位: mm 一般公差: ± 0.20

CONNECTOR

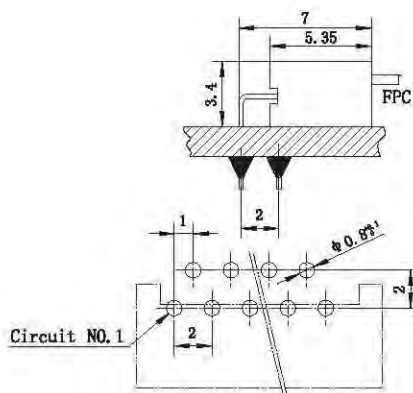
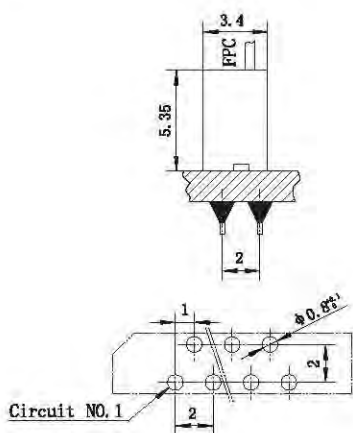
A100001-I



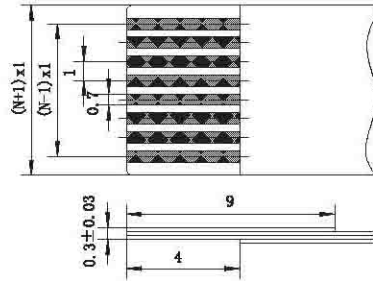
A100001-II



安装尺寸 (Mounting measurement)



Dimensions of FPC and FFC



CONNECTOR

极数 Circuits	型号 Type		尺寸(Dimensions)mm			备注型号 P. S. Type	
			A	B	C		
4	A100001-04-I	A100001-04-II	3.0	7.0	5.1	FPC 1.0A-THRU-T-04P	FPC 1.0A-THRU-S-04P
5	A100001-05-I	A100001-05-II	4.0	8.0	6.1	FPC 1.0A-THRU-T-05P	FPC 1.0A-THRU-S-05P
6	A100001-06-I	A100001-06-II	5.0	9.0	7.1	FPC 1.0A-THRU-T-06P	FPC 1.0A-THRU-S-06P
7	A100001-07-I	A100001-07-II	6.0	10.0	8.1	FPC 1.0A-THRU-T-07P	FPC 1.0A-THRU-S-07P
8	A100001-08-I	A100001-08-II	7.0	11.0	9.1	FPC 1.0A-THRU-T-08P	FPC 1.0A-THRU-S-08P
9	A100001-09-I	A100001-09-II	8.0	12.0	10.1	FPC 1.0A-THRU-T-09P	FPC 1.0A-THRU-S-09P
10	A100001-10-I	A100001-10-II	9.0	13.0	11.1	FPC 1.0A-THRU-T-10P	FPC 1.0A-THRU-S-10P
11	A100001-11-I	A100001-11-II	10.0	14.0	12.1	FPC 1.0A-THRU-T-11P	FPC 1.0A-THRU-S-11P
12	A100001-12-I	A100001-12-II	11.0	15.0	13.1	FPC 1.0A-THRU-T-12P	FPC 1.0A-THRU-S-12P
13	A100001-13-I	A100001-13-II	12.0	16.0	14.1	FPC 1.0A-THRU-T-13P	FPC 1.0A-THRU-S-13P
14	A100001-14-I	A100001-14-II	13.0	17.0	15.1	FPC 1.0A-THRU-T-14P	FPC 1.0A-THRU-S-14P
15	A100001-15-I	A100001-15-II	14.0	18.0	16.1	FPC 1.0A-THRU-T-15P	FPC 1.0A-THRU-S-15P
16	A100001-16-I	A100001-16-II	15.0	19.0	17.1	FPC 1.0A-THRU-T-16P	FPC 1.0A-THRU-S-16P
17	A100001-17-I	A100001-17-II	16.0	20.0	18.1	FPC 1.0A-THRU-T-17P	FPC 1.0A-THRU-S-17P
18	A100001-18-I	A100001-18-II	17.0	21.0	19.1	FPC 1.0A-THRU-T-18P	FPC 1.0A-THRU-S-18P
19	A100001-19-I	A100001-19-II	18.0	22.0	20.1	FPC 1.0A-THRU-T-19P	FPC 1.0A-THRU-S-19P
20	A100001-20-I	A100001-20-II	19.0	23.0	21.1	FPC 1.0A-THRU-T-20P	FPC 1.0A-THRU-S-20P
21	A100001-21-I	A100001-21-II	20.0	24.0	22.1	FPC 1.0A-THRU-T-21P	FPC 1.0A-THRU-S-21P
22	A100001-22-I	A100001-22-II	21.0	25.0	23.1	FPC 1.0A-THRU-T-22P	FPC 1.0A-THRU-S-22P
23	A100001-23-I	A100001-23-II	22.0	26.0	24.1	FPC 1.0A-THRU-T-23P	FPC 1.0A-THRU-S-23P
24	A100001-24-I	A100001-24-II	23.0	27.0	25.1	FPC 1.0A-THRU-T-24P	FPC 1.0A-THRU-S-24P
26	A100001-26-I	A100001-26-II	25.0	29.0	27.1	FPC 1.0A-THRU-T-26P	FPC 1.0A-THRU-S-26P
28	A100001-28-I	A100001-28-II	27.0	31.0	29.1	FPC 1.0A-THRU-T-28P	FPC 1.0A-THRU-S-28P
30	A100001-30-I	A100001-30-II	29.0	33.0	31.1	FPC 1.0A-THRU-T-30P	FPC 1.0A-THRU-S-30P